



**Illustrated Parts List
Les Parties Illustrées Enumèrent
Las Partes Ilustradas Listan**

**Model / Modelo / Modèle
040229-1**

Questions? Help is just a moment away!
Preguntas? La ayuda es justa un momento lejos!
Vous avez des questions? Vous n'avez pas
besoin d'aller loin pour trouver de l'aide!

Call: **Home Standby Helpline**

Llamada: **Línea Directa de Reserva de Hogar**

Appelez: **Ligne Directe de Secours À la Maison**

1-800-743-4115 M-F 8-5 CT

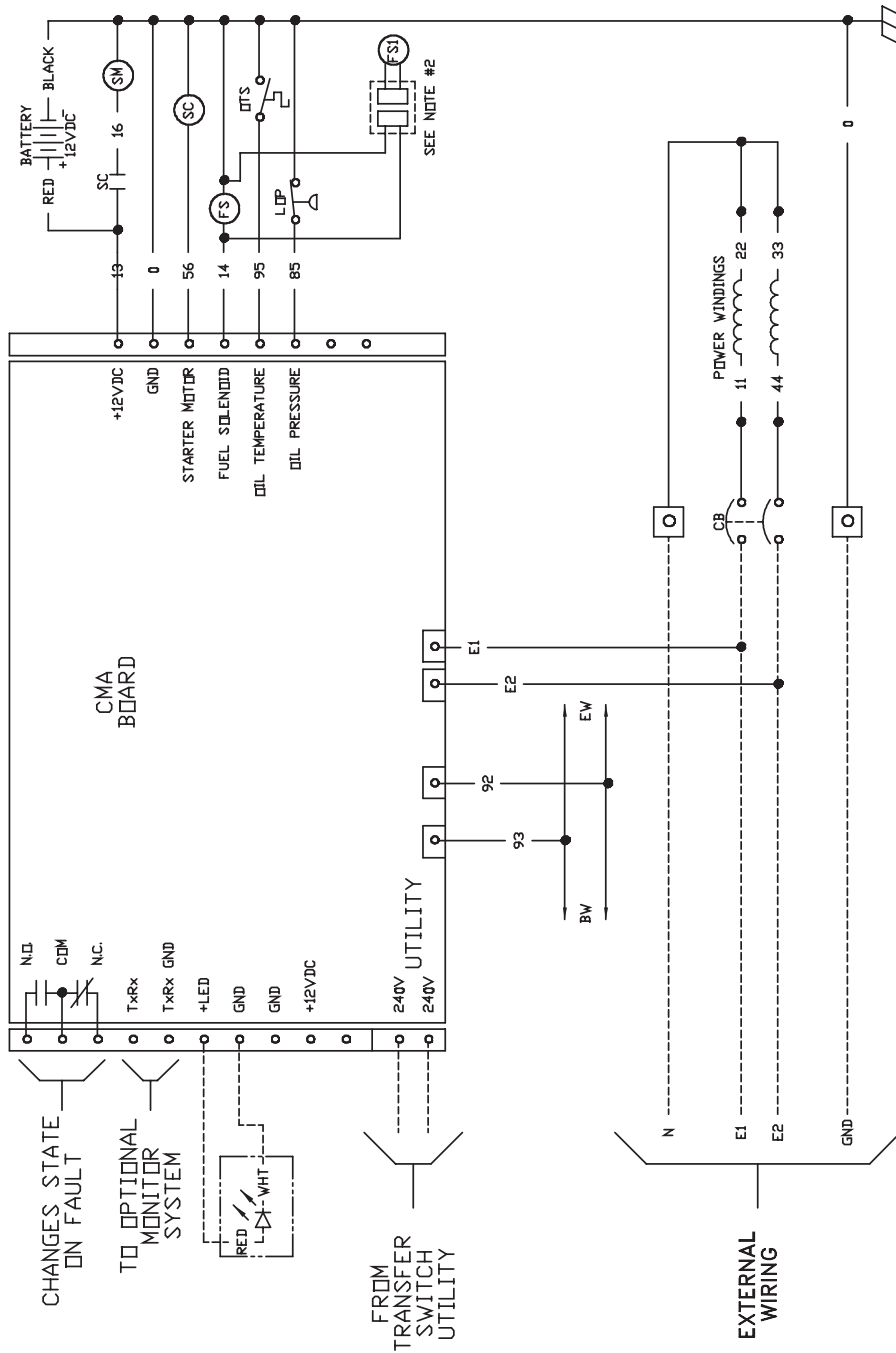
BRIGGSandSTRATTON.COM



12000 Rated Watts
Home Generator System



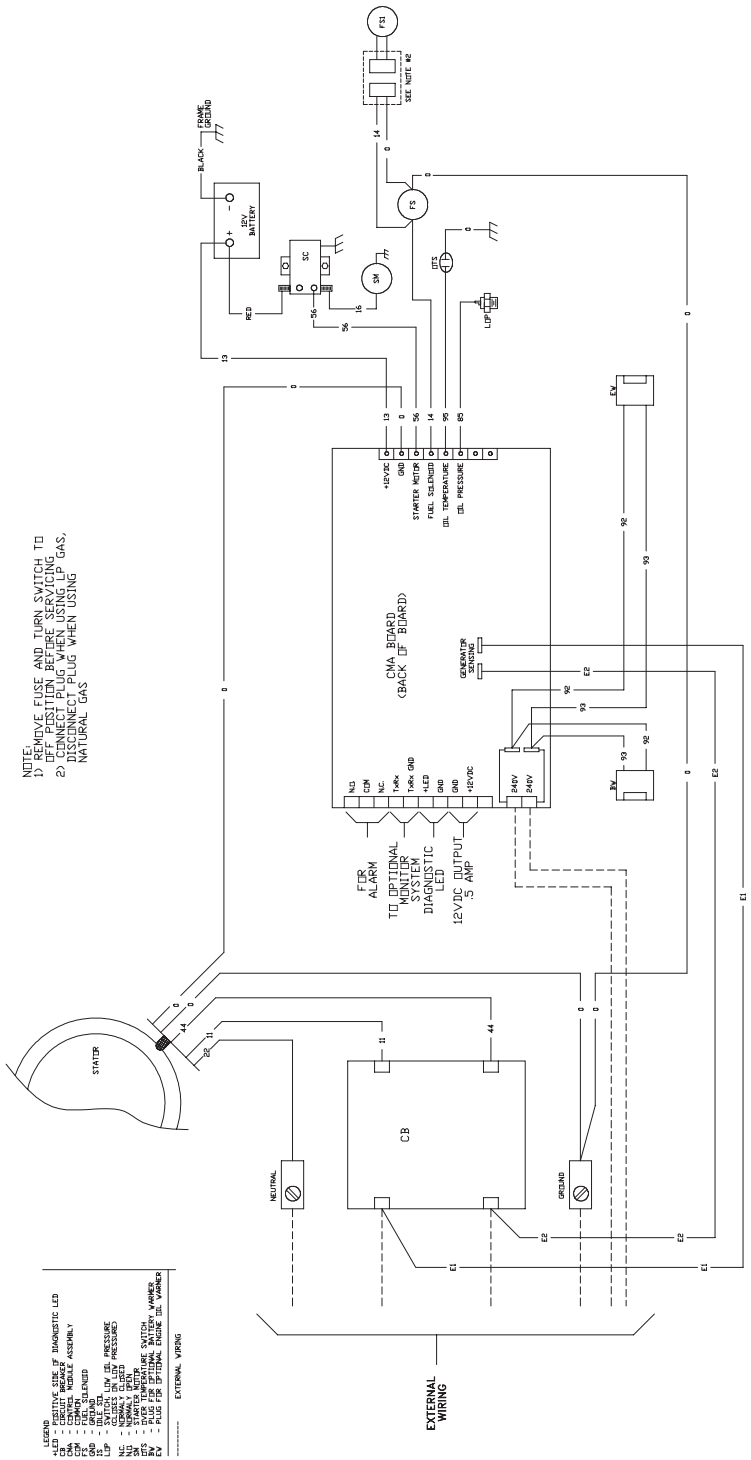
UNIT SCHEMATIC DIAGRAM



Copyright © 2007 Briggs & Stratton Power Products Group, LLC. All rights reserved. No part of this material may be reproduced or transmitted in any form by any means without the express written permission of Briggs & Stratton Power Products Group, LLC.

WIRING DIAGRAM

UNIT WIRING DIAGRAM



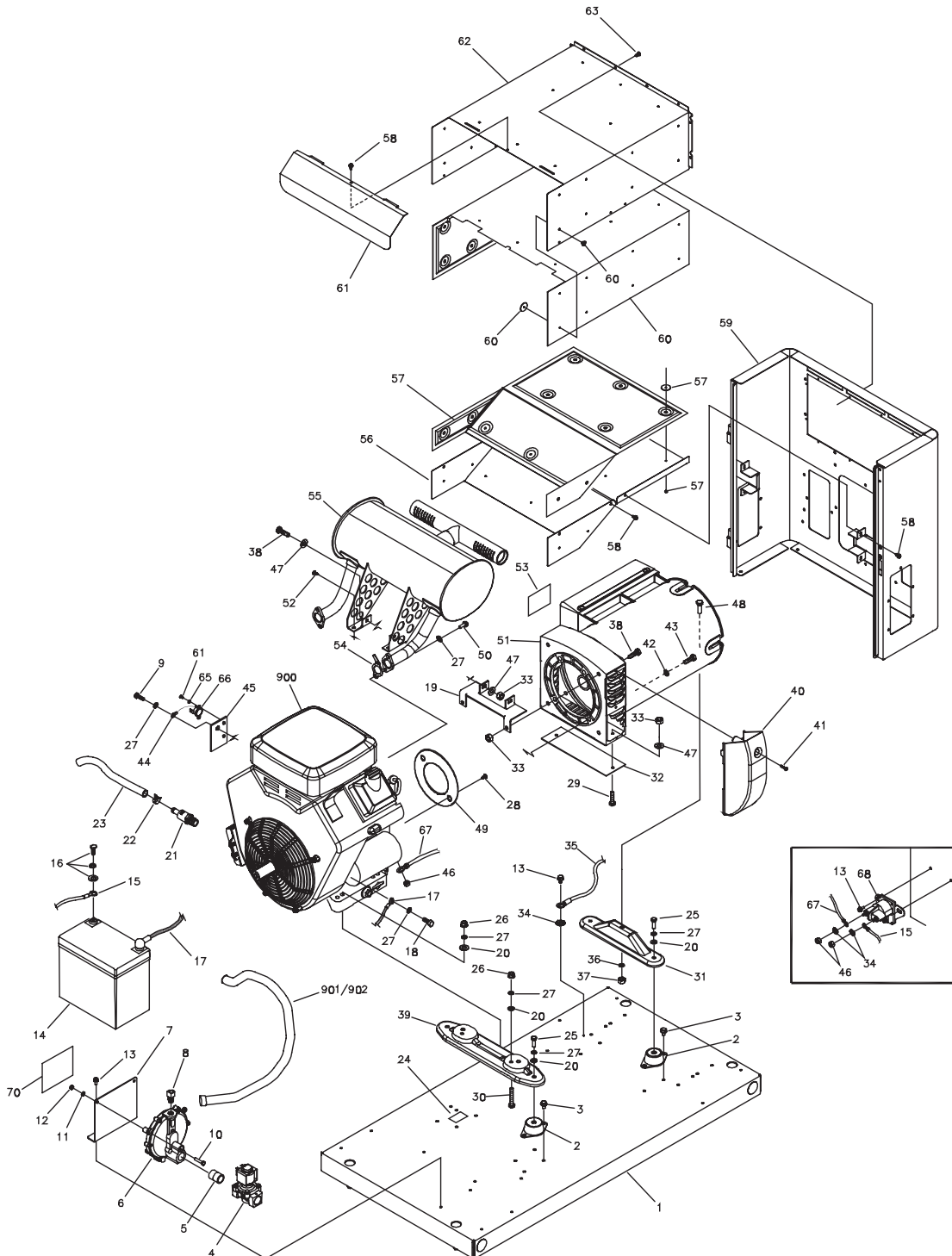
NOTE:
1) REMOVE FUSE AND TURN SWITCH TO OFF POSITION BEFORE SERVICING.
2) CONNECT PLUG WHEN USING LP GAS, NATURAL GAS.

LEGEND

A4	- POSITIVE SIDE OF DIAGNOSTIC LED
EV	- CIRCUIT BOARD ASSEMBLY
LD	- CIRCUIT BOARD ASSEMBLY
CH	- CHECK VALVES
SC	- SERVICE SWITCH
LD	- LINE VOLTAGE
EV	- EVAPORATOR
EV	- CONDENSER
F2	- 5 AMP FUSE (SERVICING)
F5	- 5 AMP FUSE (SERVICING)
F5	- 5 AMP FUSE (SERVICING)
E1	- 120V INPUT
E2	- 240V INPUT
EV	- 12VDC INPUT
EV	- 12VDC OUTPUT
EV	- 12VDC INPUT
EV	- 12VDC OUTPUT
EV	- 12VDC INPUT
EV	- 12VDC OUTPUT
EV	- 12VDC INPUT
EV	- 12VDC OUTPUT
EV	- 12VDC INPUT
EV	- 12VDC OUTPUT
EV	- 12VDC INPUT
EV	- 12VDC OUTPUT
EV	- 12VDC INPUT
EV	- 12VDC OUTPUT
EV	- 12VDC INPUT
EV	- 12VDC OUTPUT
EV	- 12VDC INPUT
EV	- 12VDC OUTPUT

EXPLODED VIEW

UNIT EXPLODED VIEW



PARTS LIST

UNIT PARTS LIST

Item	Part #	Description	Item	Part #	Description
1	U203030GS	BASE, Mounting	49	B4260GS	DISK, Engine Air
2	198899GS	MOUNT, Vibration	50	692062	SCREW
3	24910GS	HHS, Trilobular 5/16 - 18 x 1/2	51	NSP	ASSY, Alt (see pages 8 & 9)
4	194683GS	SOLENOID, Gas Fuel	52	40976GS	SHCS, M8 - 1.25 x 20
5	194829GS	FITTING, Coupling	53	193506GS	DECAL, Caution Hot Surface
6	194830GS	REGULATOR	54	806425	GASKET
7	195936GS	BRACKET, Mounting Solenoid	55	198758GS	MUFFLER
8	202382GS	FITTING, 1/2 Flare 3/8 - 18 NPT	56	194681GS	BASE, Muffler Box
9	*	HHCS, M8 - 1.25 x 12	57	198928GS	KIT, Insulation, Muffler Base
10	*	HHCS, M6 - 1.0 x 30	58	56893GS	CRIMPTITE, 10 - 24 x 1/2
11	*	WASHER, 1/4 Lock	59	201282GS	ASSY, Bulkhead, Alt End w/ Insulation
12	*	NUT, M6 - 1.0	60	198929GS	KIT, Insulation, Muffler Box
13	B4300GS	HHS, Trilobular, 1/4 - 20 x 1/2	61	194682GS	COLLECTOR, Muffler Box
14	194818GS	BATTERY	62	194680GS	BOX, Muffler Top
15	198593BGS	WIRE-A, Red	63	192445GS	SCREW, 10 - 32 x 5/8
16	198913GS	KIT, Battery Hardware	64	*	PPHMS, 4-40 x 0.19
17	185939VGS	WIRE-A, Black	65	*	WASHER, Lock #4
18	*	HHCS, M8 1.25 x 16	66	186205GS	SWITCH, Oil Temp
19	201824GS	BRACKET, Muffler Mounting Base	67	198593CGS	WIRE-A
20	*	WASHER, Flat 5/16 - M8	68	691656	SOLENOID/BRACKET
21	186071GS	VALVE, Oil Drain	70	202896GS	DECAL, Requirements, Fuel
22	48031JGS	CLAMP, Hose Band	900	§	ENGINE
23	186430GS	HOSE, Oil Drain	901	843644	FUEL HOSE
24	186649GS	DECAL, Oil Drain	902	843438	CLAMP
25	*	HHCS, 5/16 - 18 x 1			
26	*	NUT, 5/16 - 18			
27	*	WASHER, Lock 5/16 - M8			
28	*	HHCS, 5/16 - 24 x 3/4 SEMS			
29	*	HHCS, 1/4 - 20 x 1			
30	*	HHCS, 5/16 -18 x 1 - 3/4			
31	B198897GS	BRACKET, Alt Support			
32	200013GS	PLATE, Blocking Air, Alt			
33	194005GS	NUT, 1/4 - 20 Flange, Nylok			
34	*	WASHER, Shakeproof Ext. M6-1/4			
35	186790HGS	WIRE, Ground			
36	*	WASHER, Lock, M10			
37	*	NUT, Hex, M10 - 1.5			
38	*	HHCS, 1/4 - 20 x 3/4			
39	B198896GS	BRACKET, Engine Mounting			
40	201817GS	DUCT, Air			
41	199999GS	PTHS, #6 x 1/2"			
42	*	WASHER, Lock 3/8			
43	*	HHCS, 3/8 - 16 x 1-1/4			
44	186790CGS	WIRE			
45	186206GS	PLATE, Switch Oil Temp			
46	*	NUT, Hex 1/4 - 20			
47	*	WASHER, M6, Flat 1/4			
48	*	HHCS, M10 - 1.5			

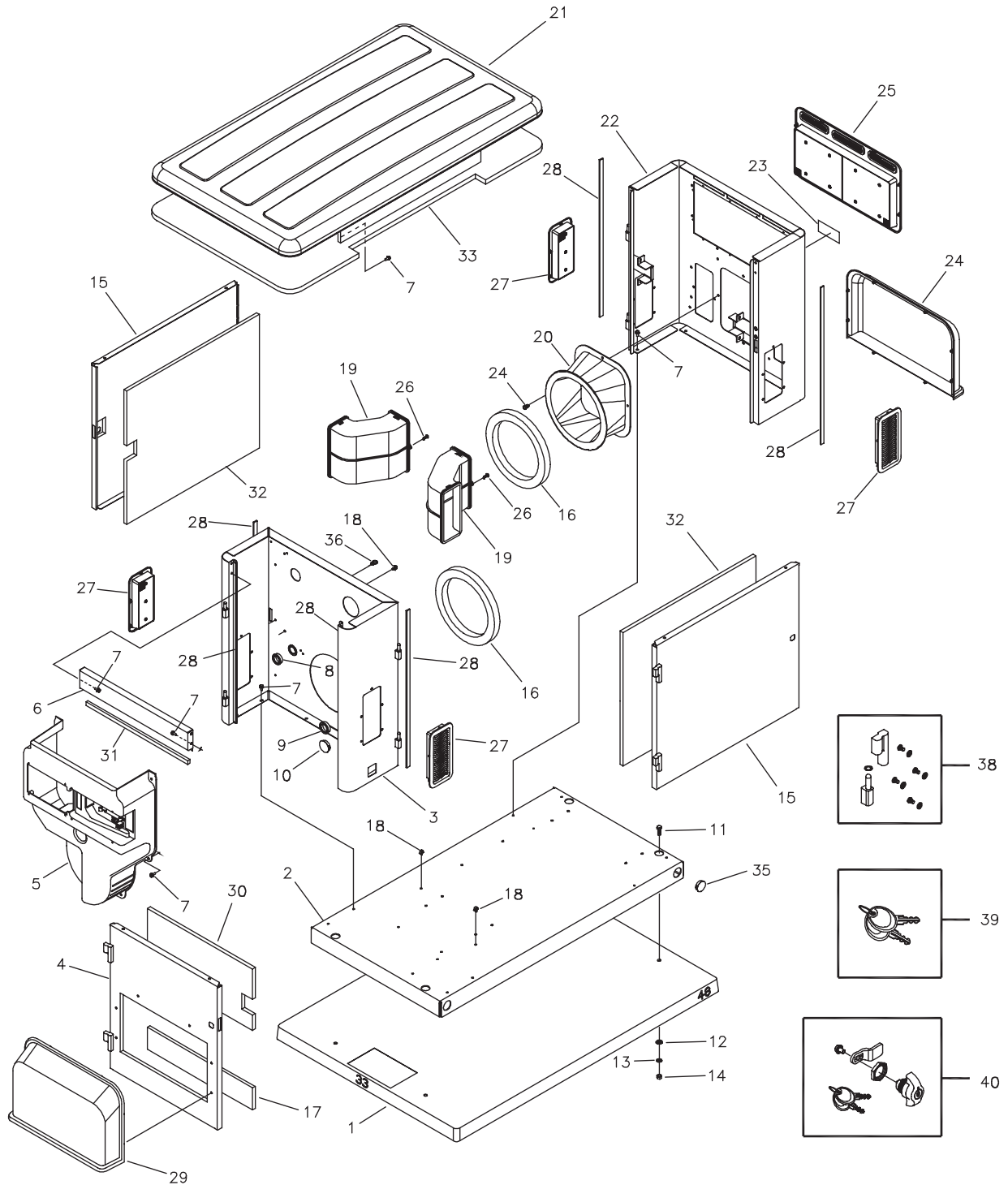
Parts Not Illustrated	
199327GS	MANUAL, Install
194689GS	MANUAL, Operator's
MS3792	MANUAL, Engine
203056GS	KIT, Manual/Accessory HGS
198810GS	PAINT, Touchup, Grey 1/2 oz Bottle
198811GS	PAINT, Touchup, Silver 1/2 oz Bottle
B3518GS	CAP, Funnel Oil Bottle
202295GS	HOSE, Flex
198866GS	KIT, Led Remote
203060GS	MANUAL, IPL
199356GS	KIT, Decals, Service

Optional Accessories	
199474GS	PAINT, Touchup, Spray, Gray, 12oz
199475GS	PAINT, Touchup, Spray, Silver, 12oz
6030	KIT, Cold Weather (Includes Battery and Oil Warmers)

* - Items without part numbers are common fasteners and are available at your local hardware store.
 § - Contact Engine Manufacturer

EXPLODED VIEW

ENCLOSURE EXPLODED VIEW



PARTS LIST

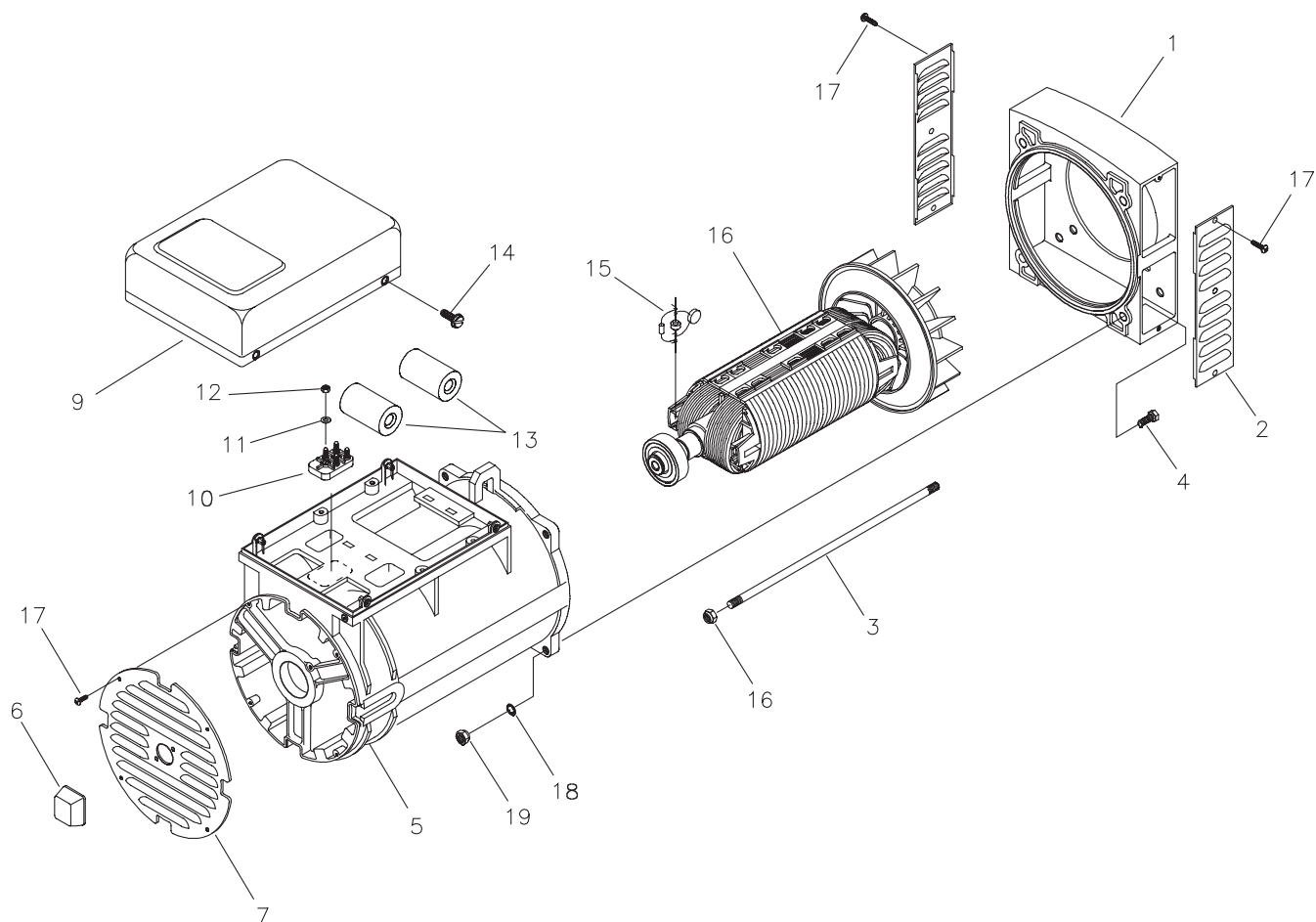
ENCLOSURE PARTS LIST

Item	Part #	Description	Item	Part #	Description
1	197275GS	PAD, Mounting w/ Holes	16	199629GS	SEAL, Foam, Engine Air
2	U203030GS	BASE, Mounting	17	203303GS	INSULATION, Engine Door, Bottom
3	198991GS	ASSY, Bulkhead, Eng End	18	195733GS	MOUNT, Tie Wrap
	 Bulkhead, Eng End	19	195935GS	DUCT, Rubber Alt.
	 Decal, Fuel Inlet	20	203029GS	ADAPTER, Alt.
	 Seal, Foam	21	198893GS	ASSY, Roof/Siderails
	 Seal, Foam Engine Air		 Weldment Roof/Siderails
	 Bushing, 1-1/2		 Insulation
	 Bushing, 1-3/8	22	201282GS	ASSY, Bulkhead, Alt End
	 Plug, Dome 1-1/2		 Decal, Caution Hot Muffler
	 Pin, Hinges with Hardware		 Seal, Foam
4	198986GS	ASSY, Door, Eng. End		 Pin, Hinges with Hardware
	 Weldment, Door Eng End		 Bracket, Muffler
	 Insulation, Top	23	77816AGS	DECAL, Caution Hot Muffler
	 Insulation, Bottom	24	194679GS	COVER, Air Intake Alt
	 Barrel, Hinges with Hardware	25	198926GS	ASSY, Vent, Exhaust
5	198910GS	ASSY, Duct, Engine Air	26	B1797GS	CLIP, Tree
	 Decals	27	198927GS	ASSY., Vent, Alt.
	 Lug, Ground Connect w/Hardware	28	198888GS	SEAL, Foam
	 Bracket, Mounting Breaker	29	194694GS	COVER, Air Intake Engine
		w/Hardware	30	203302GS	INSULATION, Engine Door, Top
6	198993GS	ASSY, Support, Rail	31	197312GS	SEAL, Foam
	 Support Rail Eng. End	32	196397GS	INSULATION, Front/Rear Door
	 Seal, Foam	33	195597GS	INSULATION, Roof
	 Decal, Rainproof	35	198460GS	PLUG, Dome
7	B4300GS	HHS, Trilobular, 1/4-20 x 1/2	36	192940GS	RETAINER, Hose
8	186173GS	BUSHING, Snap, 1-3/8"	38	198890GS	KIT, Door, Hinge
9	197493GS	BUSHING, Snap, 1-1/2"	39	194828GS	SET, Latch Key
10	198461GS	PLUG, Dome, 1-1/2"	40	198889GS	KIT, Door Latch
11	*	HHCS, 3/8 - 16 x 1			
12	*	WASHER, Flat, 3/8 - M10			
13	*	WASHER, Lock 3/8			
14	*	NUT, 3/8 - 16			
15	198987GS	ASSY, Door			
	 Weldment Door			
	 Insulation			
	 Barrel Hinges with Hardware			
	 Decals			

* - Items without part numbers are common fasteners and are available at your local hardware store.

EXPLODED VIEW

ALTERNATOR EXPLODED VIEW

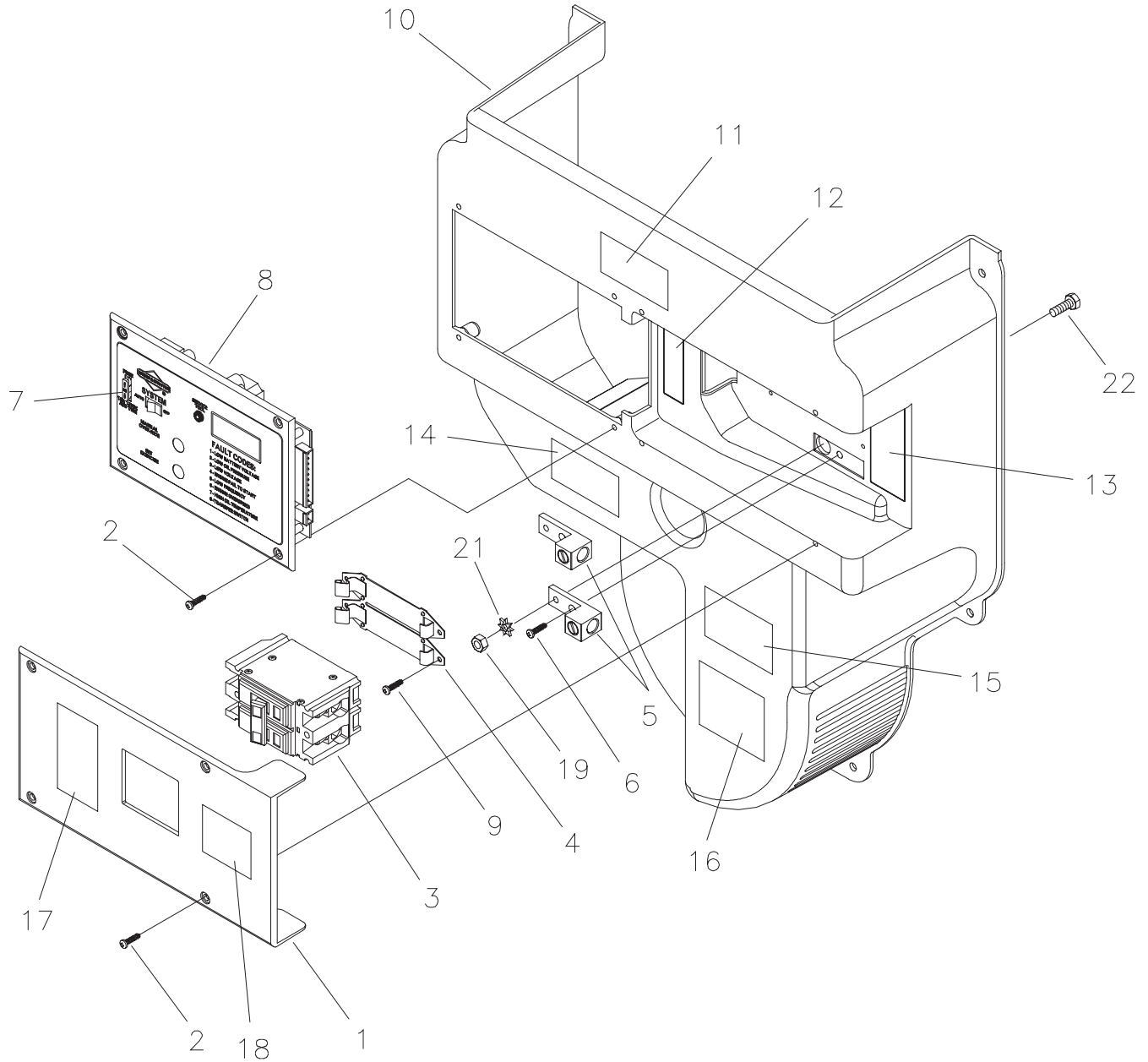


ALTERNATOR PARTS LIST

Item	Part #	Description
1	192970GS	BRACKET, Drive End
2	192973GS	SCREEN, Protection
3	B4908GS	BOLT, Shaft Stay
4	*	SCREW, Socket Head Cap
5	192969GS	FRAME and Stator
6	192962GS	PLUG, Rubber Grid
7	192966GS	GRID
9	192967GS	BOX, Terminal Lid
10	192968GS	TERMINAL BOARD
11	*	WASHER, Flat, #10 - M5
12	*	NUT, 10 - 32
13	192974GS	CAPACITOR
14	*	PPHMC, 10 - 32 x 3/4
15	192972GS	DIODE
16	192971GS	ASSY., Rotor
17	*	SCREW, M8 x 1.25 x 35mm
18	*	WASHER, Shakeproof, Ext M6 - 1/4
19	*	NUT, 1/4 - 20

* - Items without part numbers are common fasteners and are available at your local hardware store.

CONTROL PANEL EXPLODED VIEW



CONTROL PANEL PARTS LIST

Item	Part #	Description
1	198911GS	ASSY, Cover, Circuit Breaker w/ Decals
2	*	SCREW, 10 x 0.62, Plastite
3	201089GS	BREAKER, Circuit 60A, 2P
4	192770GS	BRACKET, Mounting Breaker
5	199011GS	LUG, Ground Connect
6	191991GS	BOLT, 1/4-10 x 1, Plastite
7	198573GS	FUSE, Auto Type 15A
8	196655GS	ASSY, Control Panel
9	197492GS	SCREW, PT, M4 - 1.79 x 16.0
10	198910GS	ASSY, Duct, Engine Air w/ Decals
11	B5082AGS	DECAL, Danger High Voltage
12	198549GS	DECAL, Terminal Block
13	198550GS	DECAL, Ground, Neutral
14	186647GS	DECAL, Warning, Outdoor Install
15	193297GS	DECAL, Caution, Standby
16	186646GS	DECAL, Warning, Auto Start
17	186645GS	DECAL, Caution, Electric Shock
18	190992GS	DECAL, Warning Shock
19	*	NUT, 1/4 - 20
21	*	WASHER, Shakeproof, Ext M6 1/4
22	*	HHCS, 1/4 - 20 x 3/4

Parts Not Illustrated

201090GS	HARNESS, Wire, CTL Board to Eng/Alt
198517GS	HARNESS, Wire, E1 & E2 Sensing
198515GS	CONNECTOR, Terminal, 2 Pin
198516GS	CONNECTOR, Terminal, 10 Pin

* - Items without part numbers are common fasteners and are available at your local hardware store.

SPECIFICATIONS

SPECIFICATIONS

Generator

Rated Maximum Power (LP*) . . . 12.0 kW
Rated Maximum Load Current:
 at 240 Volts 50 Amps
 at 120 Volts 100 Amps
Rated AC Voltage 120/240 Volts
Rated Frequency 60 Hz at 3600 rpm
Phase Single Phase
Power Factor 1.0
Normal Operating Range -20°F (-28.8°C) to 104°F (40°C)
Output Sound Level 65 dB(A) at 23 ft. (7 m) at normal load
Shipping Weight 484 lbs.

* Natural gas rating will depend on specific fuel but typical derates are between 10 to 20% off the LP gas rating.

NOTES

